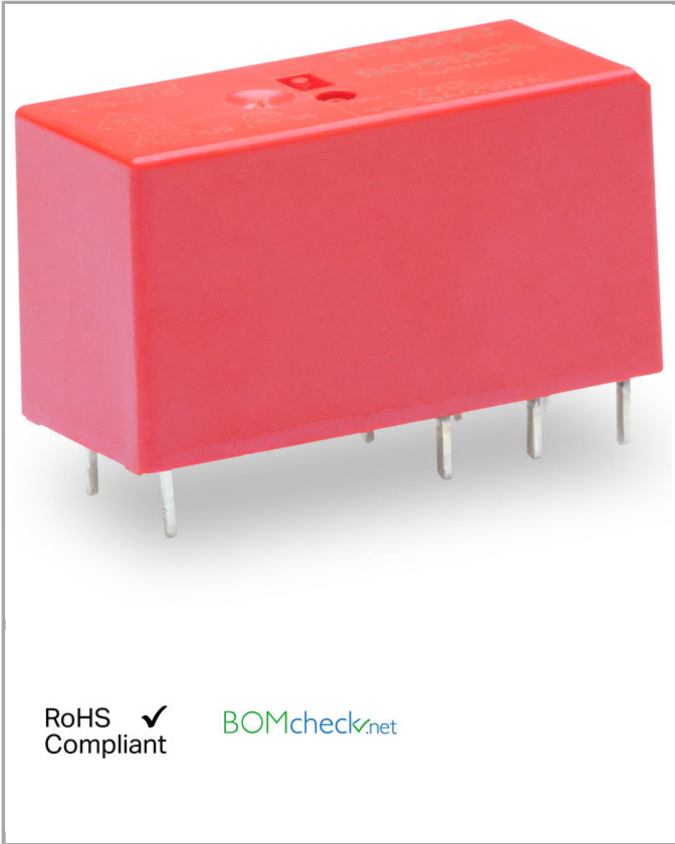


Data sheet | Item number: 788-176

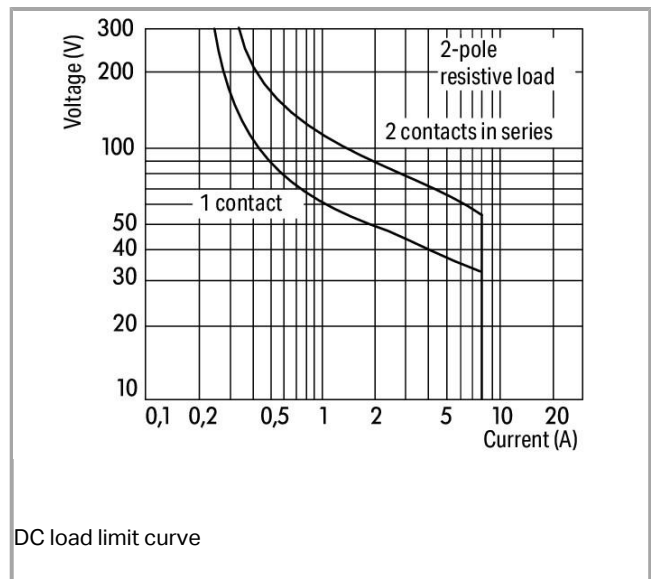
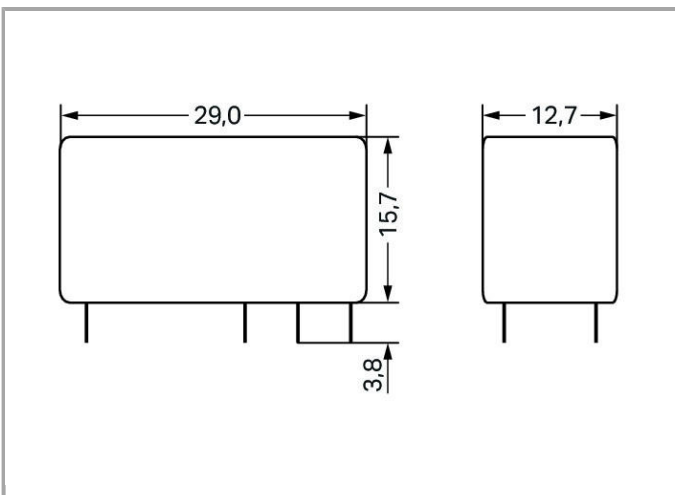
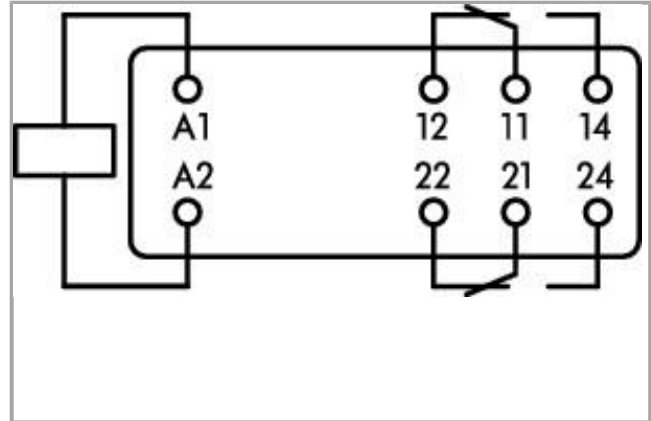
Basic relay; Nominal input voltage: 115 VAC; 2 changeover contacts;
Limiting continuous current: 8 A; Module width: 13 mm; Module height: 15 mm



788-176



RoHS Compliant [BOMcheck.net](https://www.bomcheck.net)



DC load limit curve

Data
Technical Data

Control circuit

Nominal input voltage U_N	AC 115 V
-----------------------------	----------

Load circuit:

Number of changeover/switchover contacts	2
Contact material (relay)	AgNi 90/10
Limiting continuous current	8 A
Max. make current (resistive)	(AC) 15 A / 4 s
Max. switching voltage	AC 250 V
Max. switching power (resistive)	AC 2,000 VA; DC see load limit curve
Switching capacity	AC-15: 3 A / AC 250 V; DC-13: 2 A / DC 24 V
Recommended minimum load	12 V / 10 mA
Pull-in time (typ.)	8 ms
Drop-out time (typ.)	6 ms
Bounce time (typ.)	10 ms
Electrical life (N.O.; resistive load; 23 °C)	10×10^3 switching operations
Mechanical life (N.O.; resistive load; 23 °C)	30×10^6 switching operations
Max. switching load with load/without load	6 min^{-1} / $1,200 \text{ min}^{-1}$

Safety and protection:

Dielectric strength, control/load circuit (AC, 1 min)	5 kVrms
Dielectric strength open contact (AC, 1 min)	1 kVrms
Dielectric strength, load/load circuit (AC, 1 min)	2.5 kVrms
Protection class	IP40

Geometrical Data

Width	12.7 mm / 0.5 inch
Height from the surface	15.7 mm / 0.618 inch
Depth	29 mm / 1.142 inch

Mechanical data

Type of mounting	Pluggable module
------------------	------------------

Material Data

Fire load	0.185 MJ
Weight	12.3 g

Environmental Requirements

Surrounding air (operating) temperature at U_N	-40 ... 70 °C
Surrounding air (storage) temperature	-40 ... 85 °C

Standards and specifications

Standards/specifications	EN 61810-1
--------------------------	------------

Commercial data

Product Group	6 (Interface Electronics)
Country of origin	AT
GTIN	4050821867883
Customs Tariff No.	85364900990

Compatible products

General accessories



Item no.: 788-102

Relay socket; 2 changeover contacts; for 15 mm basic relays

788-102

Downloads

Documentation

Bid Text

788-176	Apr 4, 2012	doc	Download
Zubehör Serie 788		25.6 kB	

Additional Information

Disposal; Electrical and electronic equipment, Packaging	V 1.0.0	pdf	Download
		265.8 kB	

Subject to changes.